



ZODIAC INTERNATIONAL
DIVISION MARINE

**ZODIAC MARK 2 GRAND RAID
LONG SHAFT TRANSOM**

P/N Z80150
Rev 1 – Oct 7th 09
TECHNICAL DATA SHEET



Still so Simple, Strong and Reliable

The Grand Raid name is almost as old as Zodiac itself and has gone through design and feature evolutions to still be very relevant in today's market.

GR's form the backbone of many small boat fleets and are pretty much unique in its full equipment definition.

They continue to answer the needs of users worldwide.

From October 2009, Zodiac is proposing the Mark II GR Next Generation, with a new Bow Shape, a reinforced Fabric, new Valves, a Large Flow Self-bailer, and a Long Shaft Transom adapted to 4-stroke engines...

The MK 2 GR Long Shaft is available on stock.

Important Note: Boats available in North America may have different specifications.

THIS MATERIAL CONTAINS PROPRIETARY DATA BELONGING TO ZODIAC INTERNATIONAL. UNAUTHORIZED DISCLOSURE, USE OR REPRODUCTION WILL RESULT IN LIABILITY. ZODIAC RESERVES THE RIGHT TO CHANGE THE SPECIFICATIONS OF THIS TECHNICAL DATA SHEET WITHOUT NOTICE.

Dimensions and weight + or - 3 % (5% on prototype)

page 1 / 5



ZODIAC INTERNATIONAL

DIVISION MARINE

MK 2 GR Long Shaft – BOAT DEFINITION

CAPACITY

. maximum number of persons (ISO6185) :	7	7
. maximum payload including engine and fuels (ISO6185) :	910 kg	2006 lb
. floorboard usable area :	2.27 m ²	24.43 sq ft
. buoyancy tube volume :	1270 L	47.67 cu ft

DIMENSIONS

. overall length :	4.20 m	13' 9"
. inside length :	2.90 m	9' 20"
. overall width :	1.75 m	5' 9"
. inside width :	0.84 m	2' 9"
. weight empty :	86 kg	190 lb
. buoyancy tube diameter :	0.45 m	1' 6"
. folded dimensions :	sac 1	1.30x0.68x0.35
	bag 1	4'3"x2'3"x1'2"
	sac 2	1.05x0.67x0.14
	bag 2	3'5"x2'2"x0'6"

SAFETY / INFLATION

. number of airtight compartments on main buoyancy tube :	3	3
. inflatable keel :	1	1
. inflation pressure :	0.24 bar	3.4 psi
. design category (EC 94/25) :	C	

ENGINE POWER

. shaft length :	Long	20"
. recommended power :	30 kW	40 HP
. maximum power :	38 kW	50 HP
. maximum engine weight :	98 KG	216 lbs

FABRIC

. buoyancy tubes :	gray , 1100 dtx , polyester, hypalon neoprene
. bottom :	black , 1100 dtx , polyester, hypalon neoprene
. keel :	black , 1100 dtx , polyester, hypalon neoprene

THIS MATERIAL CONTAINS PROPRIETARY DATA BELONGING TO ZODIAC INTERNATIONAL. UNAUTHORIZED DISCLOSURE, USE OR REPRODUCTION WILL RESULT IN LIABILITY. ZODIAC RESERVES THE RIGHT TO CHANGE THE SPECIFICATIONS OF THIS TECHNICAL DATA SHEET WITHOUT NOTICE.

Dimensions and weight + or - 3 % (5% on prototype)

page 2 / 5



STANDARD EQUIPMENT

TRANSOM BLACK VARNISHED MARINE PLYWOOD

. large flow self-bailer w/ sleeve :	1
. standard self bailer w/ plug :	1
. aluminum engine mounting plate :	1
. engine transom pad (marine plywood) black :	1
. transom triangular deflector :	2

FLOORBOARD

. anti-skid floorboard (anodized aluminum) :	3 parts
. bow floorboard (marine plywood) :	2 parts
. stringers, anodized aluminum :	2

VALVES

. inflation valves :	2
. keel inflation valve :	1

REINFORCEMENTS

. all around rubbing strake, flat profile, black :	1
. upper non-slip reinforcement panels :	2
. large transom ovoid reinforcement (1100 dtx) :	1 each side
. rubbing strakes underneath keel :	1
. rubbing strakes underneath tubes :	2 + 2

HANDLING

. carrying handles, molded PVC :	4
. bow handle (plated brass with black coating) :	1
. exterior lifeline (all around) :	1
. interior small D rings (stainless steel with black coating) :	4

TOWING

. bow large towing D ring (stainless steel with black coating) :	2
--	---

OTHER EQUIPMENT

. foot bellows + hose :	1
. repair kit with pressure indicator :	1
. paddles (aluminum shaft, plastic blade) :	2
. storage bag :	2

THIS MATERIAL CONTAINS PROPRIETARY DATA BELONGING TO ZODIAC INTERNATIONAL. UNAUTHORIZED DISCLOSURE, USE OR REPRODUCTION WILL RESULT IN LIABILITY. ZODIAC RESERVES THE RIGHT TO CHANGE THE SPECIFICATIONS OF THIS TECHNICAL DATA SHEET WITHOUT NOTICE.

Dimensions and weight + or - 3 % (5% on prototype)

page 3 / 5




ZODIAC INTERNATIONAL

DIVISION MARINE

TESTS PERFORMANCE

- Sea State : 0-1
- Engine : 40HP-Mariner Long Shaft – Tiller – Propeller 12'
- Initial Payload : Fuel + Safety Bag = 50 kg

	<u>Persons + Payload</u> (kg)	<u>Speed</u> (knots)
<p>1 Person</p> 	130 kg	24
<p>3 Persons</p> 	285 kg	23
<p>5 Persons</p> 	435 kg	22
<p>7 Persons</p> 	585 kg	21

THIS MATERIAL CONTAINS PROPRIETARY DATA BELONGING TO ZODIAC INTERNATIONAL. UNAUTHORIZED DISCLOSURE, USE OR REPRODUCTION WILL RESULT IN LIABILITY. ZODIAC RESERVES THE RIGHT TO CHANGE THE SPECIFICATIONS OF THIS TECHNICAL DATA SHEET WITHOUT NOTICE.

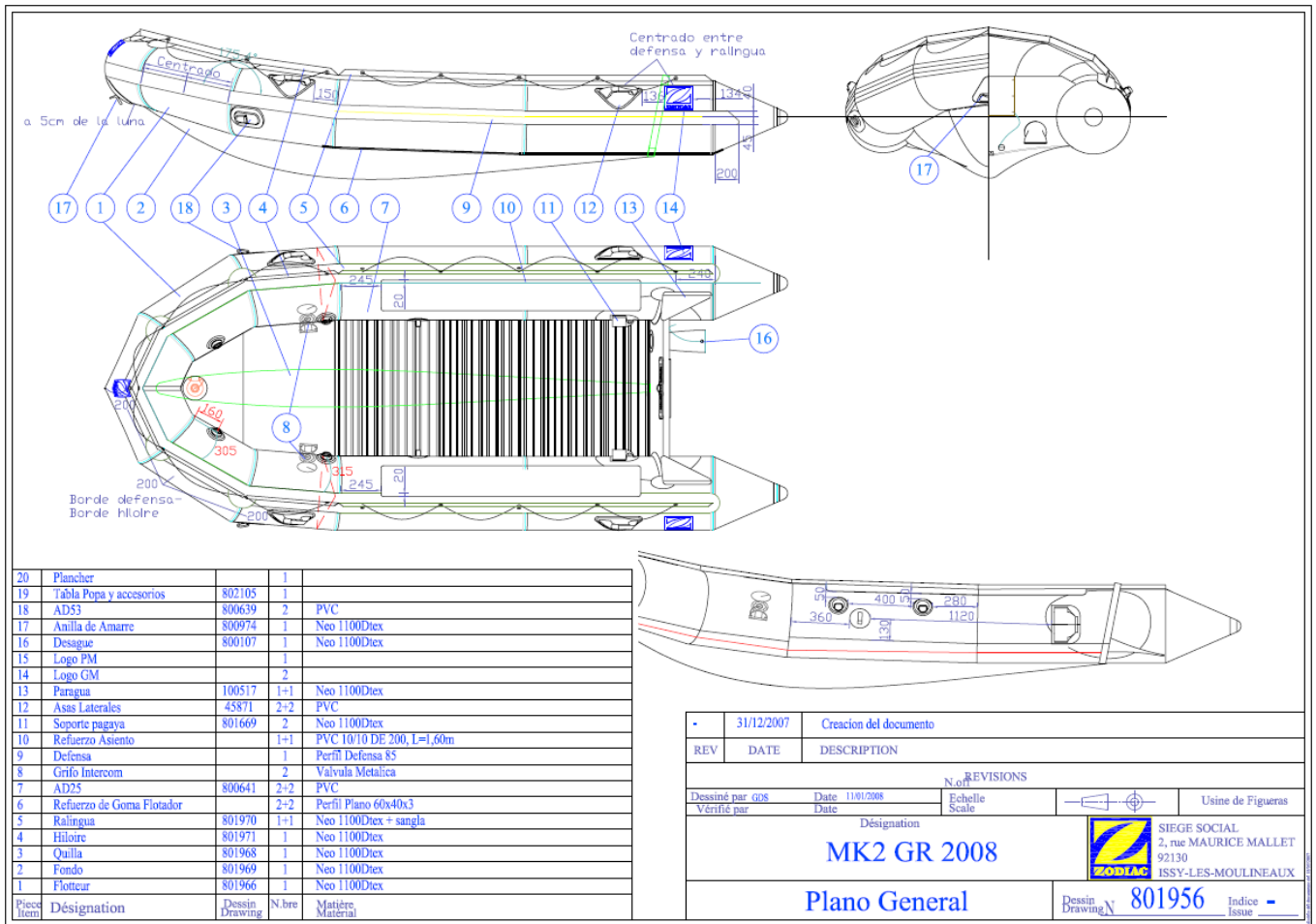
Dimensions and weight + or - 3 % (5% on prototype)

page 4 / 5



ZODIAC INTERNATIONAL

DIVISION MARINE



THIS MATERIAL CONTAINS PROPRIETARY DATA BELONGING TO ZODIAC INTERNATIONAL. UNAUTHORIZED DISCLOSURE, USE OR REPRODUCTION WILL RESULT IN LIABILITY. ZODIAC RESERVES THE RIGHT TO CHANGE THE SPECIFICATIONS OF THIS TECHNICAL DATA SHEET WITHOUT NOTICE.

Dimensions and weight + or - 3 % (5% on prototype)

page 5 / 5